



# Krytox™ XHT-BDZ

Performance Lubricants

## Steam Turbine Governor Control Valve Application

An American electricity generating company reduces downtime and helps improve the bottom line by switching greases.

### **Major U.S. Supplier to the Electric Grid Improves Performance and Saves Money**

A major electricity generation company located in the United States was experiencing problems with the governor control valves in its steam turbines, because the grease it was using was drying out. This problem required the utility to shut down the base load unit for repair and to re-sleeve the bearings at least four times a year. Because the base load unit provides more than 500 megawatts to the electric grid, these frequent downtimes compromised the power supply and cost the company a significant loss of revenue.

### **The Challenge**

The valve configuration used by the company is unique because it is only 10 feet from the turbine rather than the standard distance of 30 feet or more. As a result, the control valves are exposed to significantly higher temperatures than a control valve typically experiences. The company needed a grease that could handle extreme high temperatures that the cam shaft bearings and fulcrum pins are exposed to on a daily basis, and not evaporate and cause the valve to seize—like the lubricant it had been using.

## The Solution

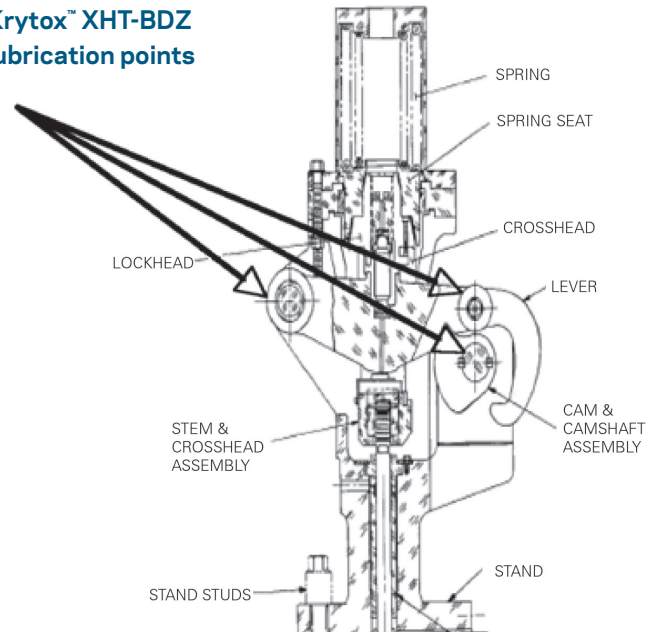
Krytox™ XHT-BDZ grease easily withstood the extreme high temperatures of this application without evaporating, enabling the control valves to operate continuously.

By switching from a competitor's product to Krytox™ XHT-BDZ grease, the company was able to help eliminate the need for costly quarterly shutdowns, which meant improved reliability of supply to the electric grid and enhanced company revenues.

## Key Advantages

- Using Krytox™ XHT-BDZ grease, the utility was able to avoid frequent shutdowns, thus improving the reliability of supply to the electric grid and enhancing the bottom line.
- Cam shaft bearings and fulcrum pins stay well lubricated day in and day out, despite constant exposure to extremely high temperatures—thanks to Krytox™ XHT-BDZ grease.
- Krytox™ XHT-BDZ grease can provide similar benefits for steam turbine governor control valves used in paper manufacturing, chemical processing, or refinery operations.

## Krytox™ XHT-BDZ lubrication points



The information set forth herein is furnished free of charge and based on technical data that Chemours believes to be reliable. It is intended for use by persons having technical skill, at their own discretion and risk. The handling precaution information contained herein is given with the understanding that those using it will satisfy themselves that their particular conditions of use present no health or safety hazards. Because conditions of product use are outside our control, Chemours makes no warranties, express or implied, and assumes no liability in connection with any use of this information. As with any material, evaluation of any compound under end-use conditions prior to specification is essential. Nothing herein is to be taken as a license to operate under or a recommendation to infringe any patents.

NO PART OF THIS MATERIAL MAY BE REPRODUCED, STORED IN A RETRIEVAL SYSTEM OR TRANSMITTED IN ANY FORM OR BY ANY MEANS ELECTRONIC, MECHANICAL, PHOTOCOPYING, RECORDING OR OTHERWISE WITHOUT THE PRIOR WRITTEN PERMISSION OF CHEMOURS.

For product information, industry applications, technical assistance, or global distributor contacts, visit [krytox.com](http://krytox.com) or within the U.S. and Canada, call 1-844-773-CHEM/2436 or outside of the U.S., call 1-302-773-1000.

© 2015 The Chemours Company FC, LLC. Krytox™ and any associated logos are trademarks or copyrights of The Chemours Company FC, LLC. Chemours™ and the Chemours Logo are trademarks of The Chemours Company.

Replaces: K-23325

C-10069 (7/15)